

assembly instructions

children's circular picnic table

assembly requires 1 adult
(approx. 30 minutes assembly time)



The mark of
responsible forestry

WARNING! Minimum user age 3 years. Maximum user weight 50kg. Not suitable for children under 36 months – small parts. Adult assembly required. Adult supervision recommended at all times. Only for Domestic use. Outdoor use only.

WARNINGS!

Minimum user age 3 years
Maximum user weight 50kgs
Not suitable for children under 36 months – small parts
Adult assembly required
Adult supervision recommended at all times
Only for Domestic use
Outdoor use only
Keep instructions for future reference

AVERTISSEMENT !

Age minimum de l'utilisateur 3 ans
Poids maximum de l'utilisateur 50kgs
Ne convient pas aux enfants de moins de 36 mois - petites pièces
Nicht für Kinder unter 36 Monaten geeignet – Kleinteile
Assemblage par un adulte nécessaire
Ne jamais laisser un enfant jouer sans surveillance
Usage domestique uniquement
Destiné à l'usage externe uniquement
N'oubliez pas de garder ces instructions dans un lieu sûr pour référence ultérieure.

ACHTUNG!

Das Mindestalter für Benutzer beträgt 3 Jahre
Höchstgewicht des Benutzers 50kgs
Nicht für Kinder unter 36 Monaten geeignet – Kleinteile
Montage muss durch einen Erwachsenen erfolgen
Sollte nur unter unmittelbarer Aufsicht von Erwachsenen benutzt werden
Nur für den Hausgebrauch
Nur zur Nutzung im Freien geeignet
Denken Sie daran, dass Sie diese Anleitung für eine spätere Nutzung sicher aufbewahren

ATTENZIONE!

Età minima dell'utente 3 anni
Peso massimo dell'utente 50kgs
Non adatto a bambini al di sotto dei 36 mesi. Contiene pezzi piccoli. Pericolo di soffocamento.
È necessario l'assemblaggio di un adulto
Si raccomanda sempre la supervisione di un adulto
Solo per uso domestico
Solo per uso esterno
Ricordarsi di conservare le presenti istruzioni in un luogo sicuro per consultazione futura

WAARSCHUWING!

Minimum leeftijd van gebruiker: 3 jaar
Maximum gewicht van gebruiker 50kgs
Niet geschikt voor kinderen jonger dan 36 maanden – kleine onderdelen, verstikkingsgevaar
Montage door een volwassene vereist
Toezicht van een volwassene te allen tijde aanbevolen
Alleen voor gebruik binnenshuis
Alleen voor gebruik buiten
Bewaar deze instructies op een veilige plaats zodat u ze later kunt raadplegen

AVERTENCIA

Edad mínima del usuario 3 años

Peso máximo del usuario: 50kgs

No es conveniente para niños menores de 36 meses, ya que posee partes pequeñas

El montaje de este juguete debe llevarlo a cabo un adulto

Se recomienda en todo momento la supervisión de un adulto

Utilícese exclusivamente en el ámbito doméstico

Utilícese exclusivamente al aire libre

Recuerde conservar estas instrucciones en un lugar seguro para poderlas consultar en el futuro

VAROVÁNÍ!

Minimální věk uživatele je 3 let

Maximální hmotnost uživatele 50kgs

Není vhodné pro děti mladší 36 měsíců – drobné součásti

Vyžaduje se montáž dospělou osobou

Doporučuje se po celou dobu dozor dospělé osoby

Pouze pro domácí použití

Pouze pro venkovní použití

Nezapomeňte si uschovat tyto pokyny na bezpečném místě pro potřeby budoucích odkazů

UPOZORNENIE

Minimálny vek používateľa je 3 rokov

Maximálna hmotnosť používateľa 50kgs

Nevhodné pre deti mladšie ako 36 mesiacov - malé častice

Vyžaduje sa montáž dospelou osobou

Dozor dospelé osoby sa odporúča po celú dobu

Iba pre domáce použitie

Iba pre vonkajšie použitie

Nezabudnite si uschovať tieto pokyny na bezpečnom mieste pre budúce použitie

تحذير!

الحد الأدنى لعمر المستخدم

الحد الأقصى لوزن المستخدم 50kgs

لا يصلح لاستخدام للأطفال دون 36 شهر - قطع صغيرة،

يتطلب لتجميع أجزاء الجهاز شخص بالغ

ينصح بضرورة وجود إشراف دائم من كبار السن عند استخدام الجهاز.

للاستخدام الداخلي فقط

للاستخدام في الهواء الطلق فقط

OSTRZEŻENIE!

Minimalny wiek użytkownika: 3 lat

Maksymalna waga użytkownika 50kgs

Nie nadaje się dla dzieci w wieku poniżej 36 miesięcy – małe elementy

Wymaga montażu przez osobę dorosłą

Zalecany jest stały nadzór osoby dorosłej

Tylko do użytku domowego

Tylko do stosowania na dworze

Pamiętaj, żeby niniejsze instrukcje zachować w bezpiecznym miejscu na przyszłość

ADVARSEL!

Minimum brugeralder 3 år
Maksimum brugervægt 50kgs
Ikke egnet til børn under 36 måneder - små dele, fare for kvælning
Skal samles af en voksen
Bør altid anvendes under opsyn af en voksen
Kun til hjemmebrug
Kun til udendørs brug
Husk at gemme disse vejledninger på et sikkert sted for fremtidig brug.

UYARI!

Minimum kullanıcı yaşı 3 yıl
Maksimum kullanıcı ağırlığı 50kgs
36 aylıktan küçük çocuklar için uygun değildir – küçük parçalar
Bir yetişkin tarafından monte etmesi gerekir
Her zaman yetişkin gözetimi önerilir
Yalnızca ev kullanımı için
Yalnızca dış mekan kullanımı
İleride bakabilmek için bu açıklamaları güvenli bir yerde saklamayı unutmayın

FIGYELMEZTETÉS!

Minimális felhasználók kora 3 év
Max. terhelhetőség 50kgs
Nem alkalmas 36 hónapnál fiatalabb gyerekek számára - apró részek
Felnőtt összeszerelése szükséges
Minden alkalommal egy felnőtt felügyelete mellett ajánlott
Csak otthoni használatra
Kültéri használatra
Ne feledje, hogy ezeket az utasításokat biztonságos helyen tartsa későbbi használat esetére

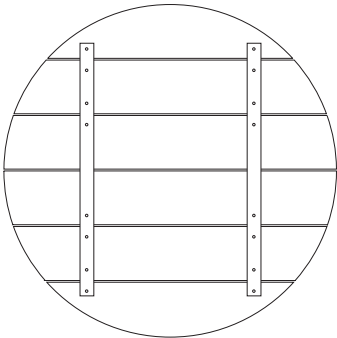



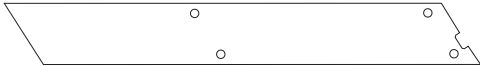


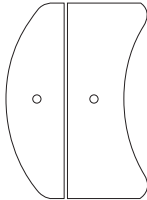

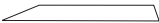

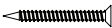


Remember to keep these instructions in a safe place for future reference.

Plum Products Ltd,
The Cliff, Middle Street
Ingham, Lincolnshire, LN1 2YQ, UK
Tel: +44 (0) 844 880 5302,
Fax: +44 (0) 152 273 0379
customerservices@plumproducts.com
www.plumproducts.com
Copyright Plum Products 2012

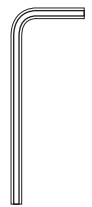
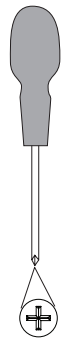
Plum Products Australia Pty Ltd,
303/154-158 Military Road,
Neutral Bay, NSW 2088, Australia
Tel: 02-99605500
Helpline: 1800 900 161
Email: aushelpdesk@plumproducts.com



PARTS LIST

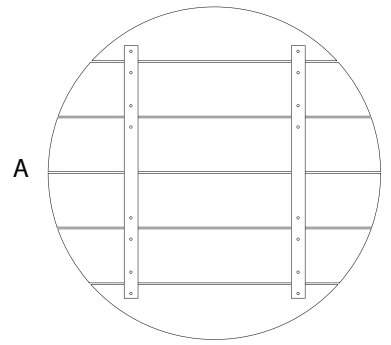
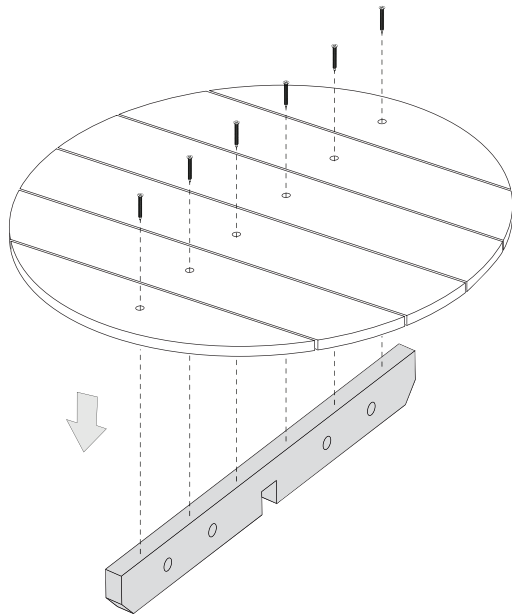
PART ID	GRAPHIC	QUANTITY
A	<p>Table Top</p> 	x1
B	<p>Table Brace</p> 	x1
C	<p>Table Brace</p> 	x1
D	<p>Base Leg</p> 	x2
E	<p>Base Leg</p> 	x2
F	<p>Table and Seat Cross Beam</p> 	x1
G	<p>Table and Seat Cross Beam</p> 	x1
H	<p>Seat</p> 	x4
I	<p>Seat Support</p> 	x4
J		x4
K		x1
L		x15
M		x16
N		x16

TOOLS REQUIRED:



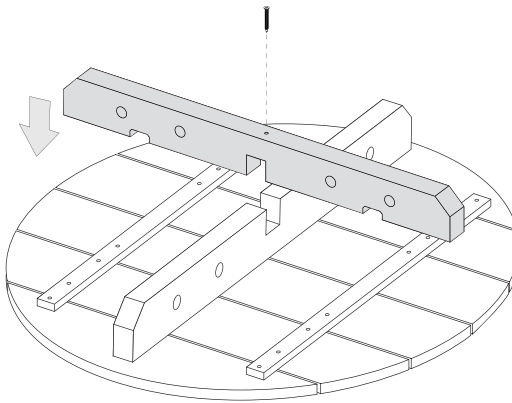
M4 Allen Key x2

1



L  x6

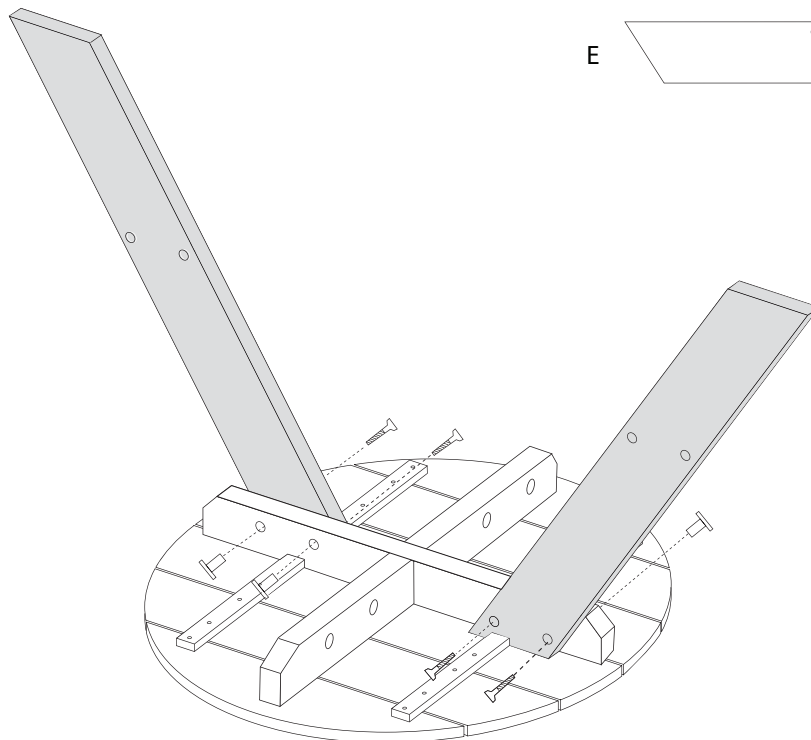
2



L  x1



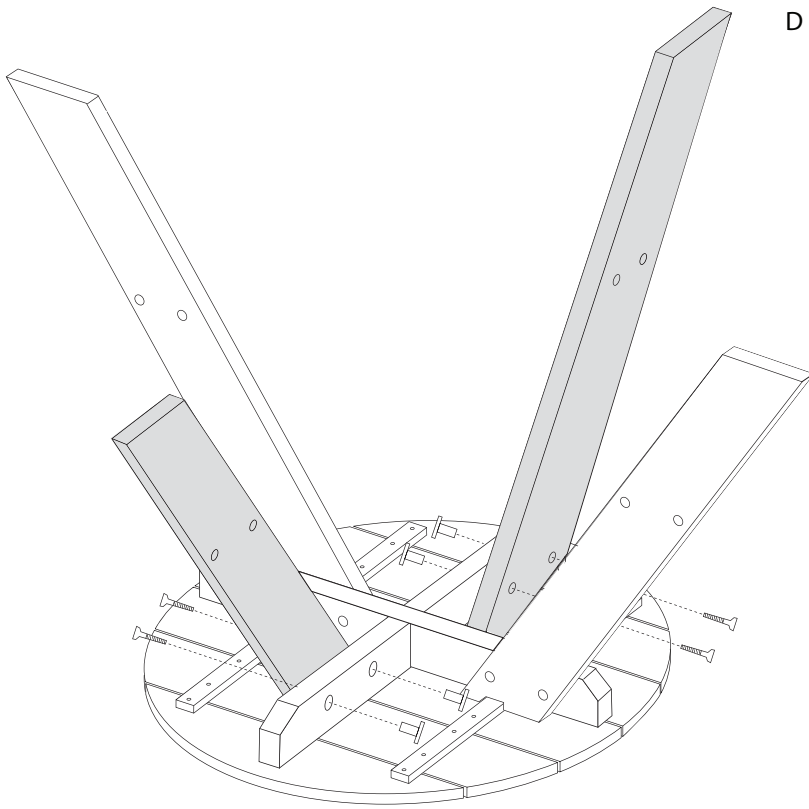
3



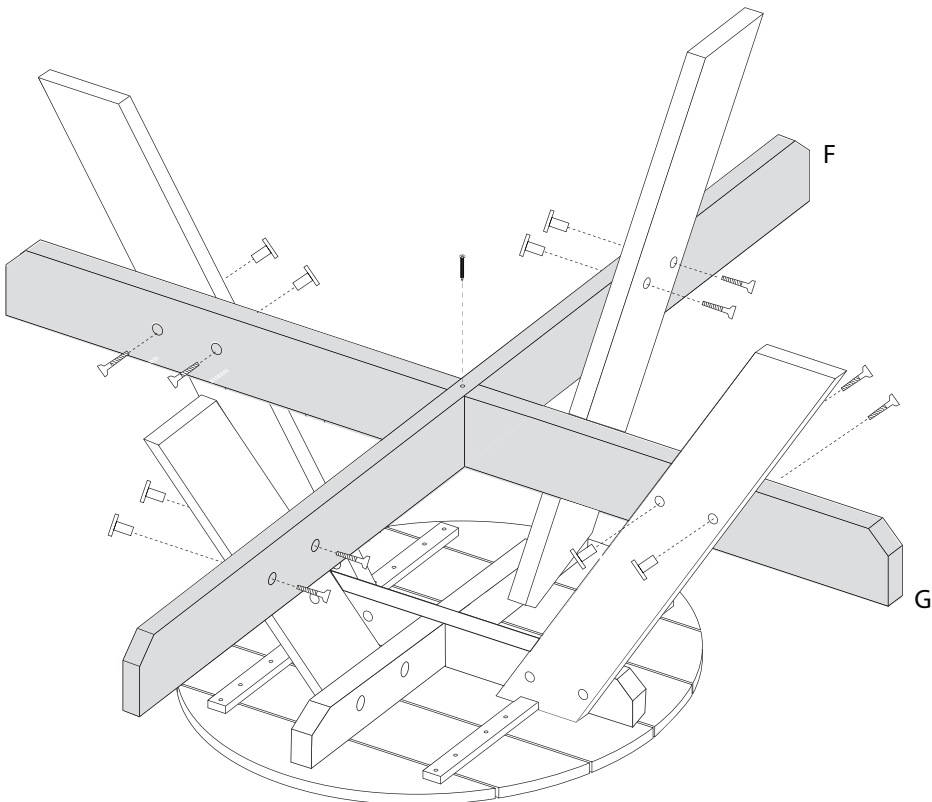
E  x2

N   x4

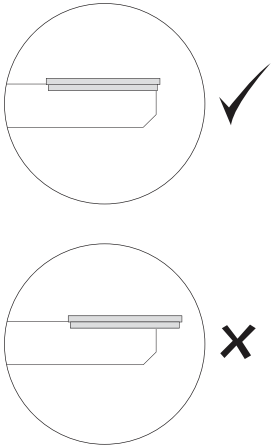
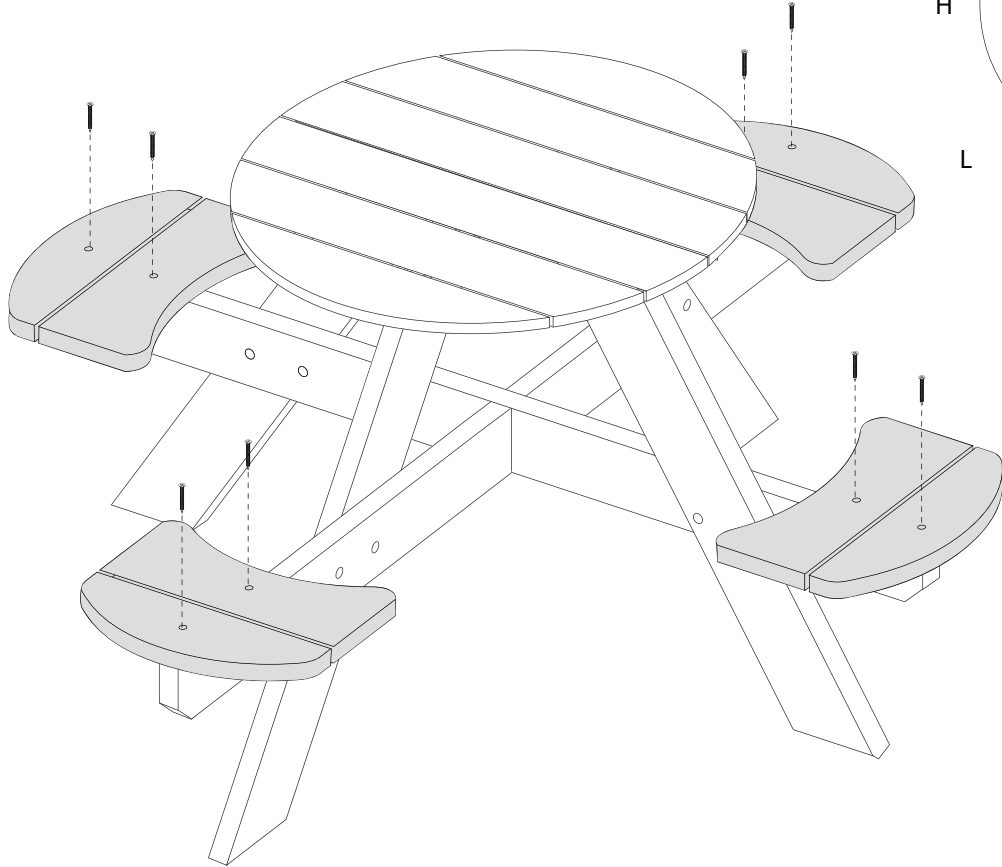
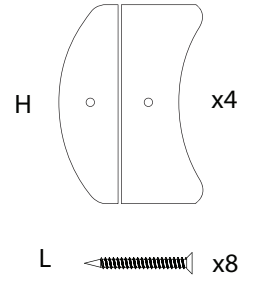
4



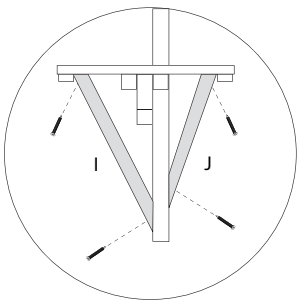
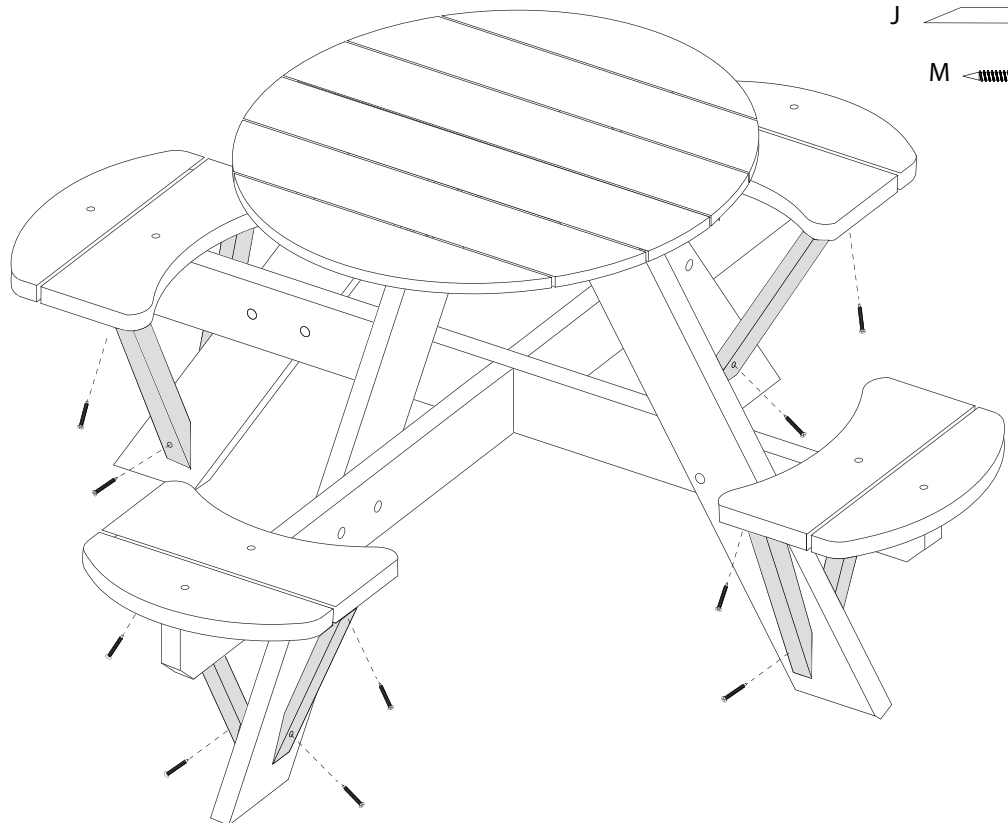
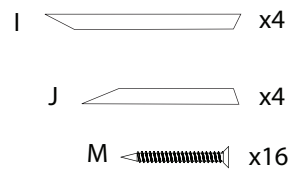
5



6



7



UK Plum Products Warranty

This product is guaranteed for twelve months from the date of purchase against manufacturing defects. The warranty is conditional on proof of purchase being presented in the event of a claim.

The warranty is registered to the original owner and is non-transferable. Regular maintenance is required to ensure safety, maximum life and performance of the product. Failure by the owner to maintain the product according to the maintenance requirements may render this warranty void. Maintenance guidelines are in the Instruction Manual provided with the product.

Plum Products® Ltd supplies safe, quality products. Any modifications made to the original product could damage the structural integrity of the unit leading to failure and possible injury. Modification shall render the warranty void and Plum Products® Ltd will accept no liability for any modified products or any consequences resulting from the failure of a modified product.

This product is warranted for domestic use only. Under no circumstance should the product be used in public or commercial settings such as schools or playgrounds, any such use may lead to product failure and potential injury. Any public or commercial use will render this warranty void.

These conditions do not affect your statutory rights as a consumer.

AUSTRALIA Plum Products Warranty

Subject to proper installation and normal residential use, Plum Products (“Plum”) play products are warranted, subject to the limitations stated below, to the original retail purchaser or owner to be free from manufacturers defects in material or workmanship for a period of 1 (one) year from the date of original retail purchase.

All warranties may be registered. To register your warranty please visit www.plumproducts.com and retain your proof of purchase for the warranty period.

Goods covered under this limited warranty will be replaced or repaired, at our option, and returned to the customer at no cost to the customer. Plum reserves the right to examine photographs or physical evidence of goods claimed to be defective and to recover the goods prior to settling a warranty claim.

Non-residential use of the play products is prohibited and there will be no warranty for any commercial, competition or playground use as these products are designed for residential use only. No warranty shall apply on equipment subjected to abuse, negligence, improper installation or use, vandalism, acts of God, unauthorised alteration or attachment to other equipment, improper use or repair by the customer or a third party.

Whilst every endeavour is made to ensure the highest degree of safety in the product, freedom from injury cannot be guaranteed. It is essential to install correctly in accordance with installation instructions, supervise your children’s play activity and maintain your play equipment periodically according to manufacturer guidelines.

This warranty does not cover scratching or scuffing of the product as a result of normal wear and tear and any minor defects which do not affect the functionality of the product. This warranty is expressly in lieu of all other warranties, express or implied given by Plum.

Your statutory rights remain unaffected. Our goods come with guarantees that cannot be excluded under the Australian Consumer Law under which you are entitled to a replacement or refund for a major failure and for compensation for any other reasonably foreseeable loss or damage. You are also entitled to have the goods repaired or replaced if the goods fail to be of acceptable quality and the failure does not amount to a major one.

To make a claim please contact us immediately on our customer service number or email below.
Telephone Plum Customer Services: 1800 900161
Email: Aushelpdesk@plumproducts.com

All claims must be made within 14 days of purchase or within a reasonable time of awareness of defect and must be accompanied by proof of purchase. Please therefore retain proof of purchase. Plum may reject claims which are not made within a reasonable time and/or where there is no proof of purchase. Plum will meet the cost of all agreed and validated claims.

Thank you for purchasing our product.
Plum Products Australia Pty Ltd, 303/154-158 Military Road, Neutral Bay, NSW 2089, Australia.
Website : www.plumproducts.com.au

